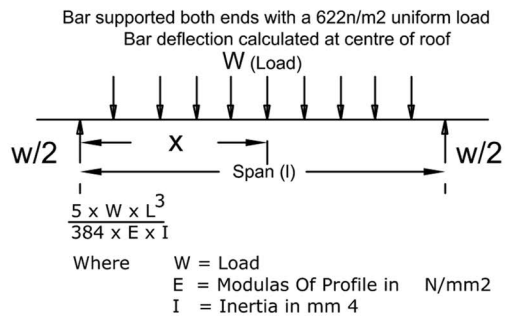
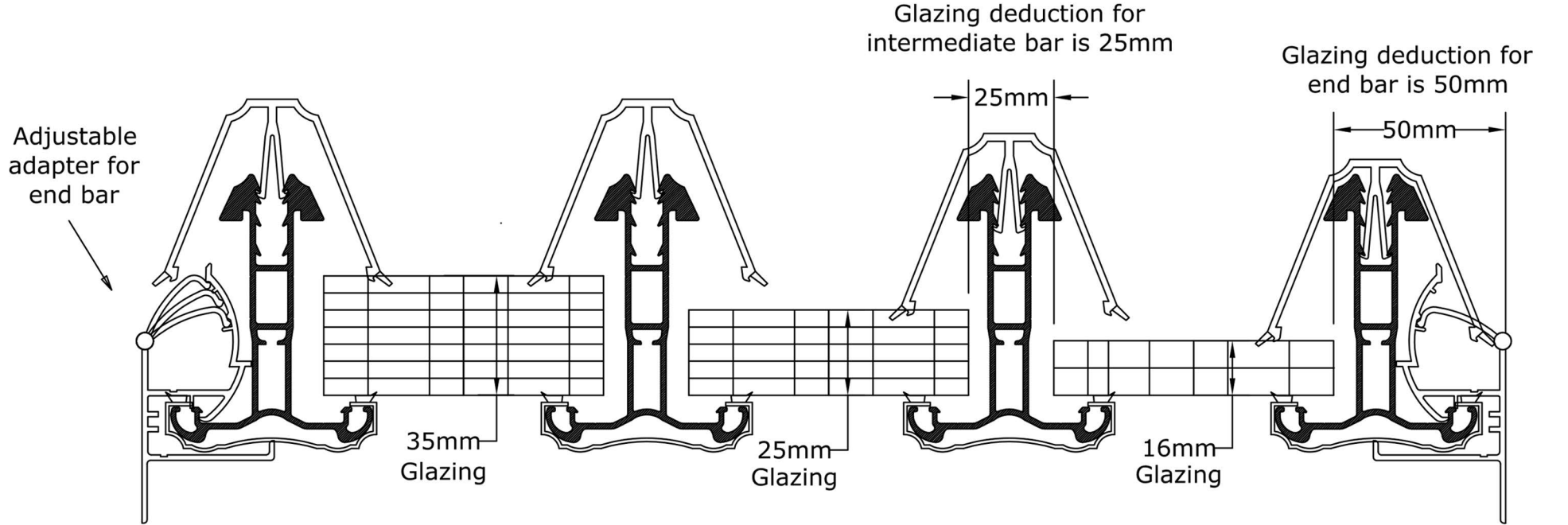


Heavy Duty Self Supported Glazing Bar

Can be glazed with 16mm, 25mm, 32mm and 35mm Polycarbonate Sheet or Glass

Available in 2.5m, 3m, 3.5m, 4m, 5m and 6m Lengths

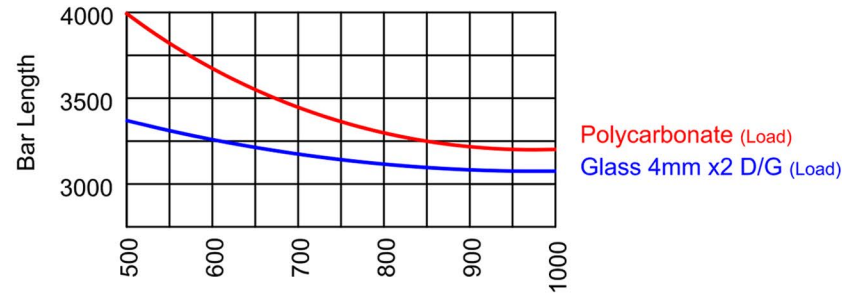
Colours - White, Brown, Anthracite Grey, Black, Rosewood and Light Oak



Deflection calculation of Heavy Duty Self Supporting Glazing Bar
Fail point beyond a deflection of 35mm under maximum

BAR SNOW LOADING

Deflection is calculated with a uniform load of $60Kg/m^2$



Bar Spacings for Conservatories
(For canopies max 600mm centres are advised for polycarbonate and 500mm for glass)

