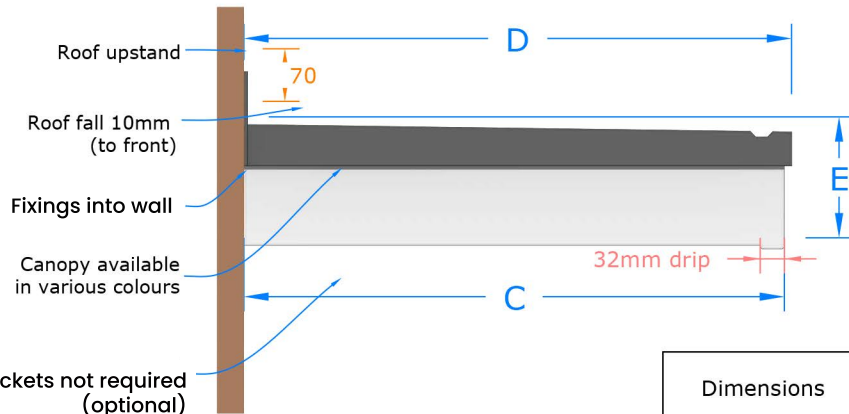
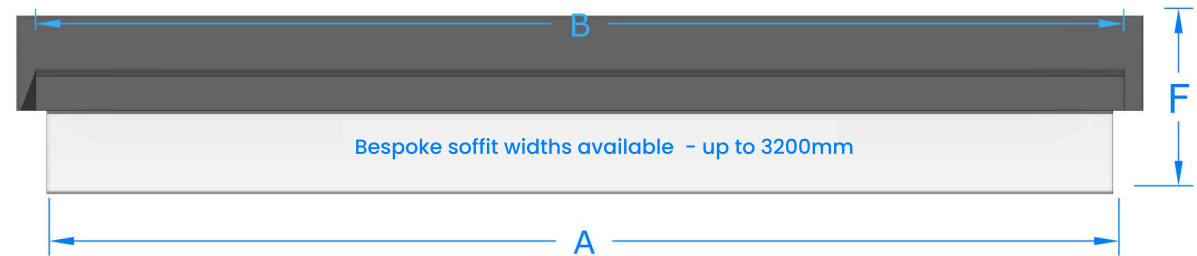




Side Elevation



Front Elevation





| Dimensions | A Soffit size | B Roof size | C Soffit projection | D Roof projection | E Canopy height | F height inc upstand |
|------------|------------------|----------------|------------------------|----------------------|--------------------|-------------------------|
| standard 1 | 1410 mm | 1440 mm | 715 mm | 725 mm | 150 mm | 220 mm |
| standard 2 | 1610 mm | 1640 mm | 715 mm | 725 mm | 150 mm | 220 mm |
| standard 3 | 1810 mm | 1840 mm | 715 mm | 725 mm | 150 mm | 220 mm |
| standard 4 | 2010 mm | 2040 mm | 715 mm | 725 mm | 150 mm | 220 mm |
| standard 5 | 2400 mm | 2425 mm | 715 mm | 725 mm | 150 mm | 220 mm |
| standard 6 | 2800 mm | 2825 mm | 715 mm | 725 mm | 150 mm | 220 mm |
| standard 7 | 3200 mm | 3225 mm | 715 mm | 725 mm | 150 mm | 220 mm |

Premium Colours

-  Anthracite Grey (RAL 7016)
-  Black (RAL 9005)
-  Dark Mahogany (RAL 8017)
-  Light Oak (RAL 8001)

Standard colours:

-  Slate Grey - roof
-  White - soffit (RAL 9003)